

24" BURNER

21,500BTU – 6.3Kw/h (heats on average 79m2 or 850ft2)
 304 Stainless Steel Construction
 Insulated Bottom Tray
 8.0L Fuel Capacity

H 4.5" (114mm) W 24.8" (630mm) D 8.5" (216mm)

CLEARANCES:

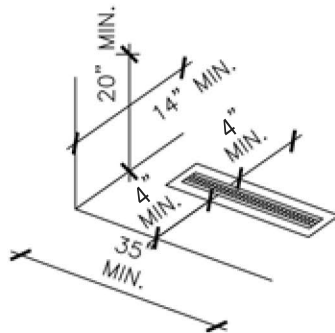
INSERTING WITHIN A FIREBOX SETTING:

The Bio Flame 24" BURNER can only be fitted into a non-combustible firebox that has minimum clearances of 35"W x 20"H x 14"D.

Custom Made fireboxes must:

-Be made out of a non-combustible material such as stainless steel

When recessing the tray into a non-combustible base with no firebox, the overhead clearance required is 60"MIN. to the nearest combustible



*Dimensions may vary by 2% (plus or minus) due to material attributes. Template not provided.
 The Bio Flame recommends using the actual fireplace or burner model when making final cut out.