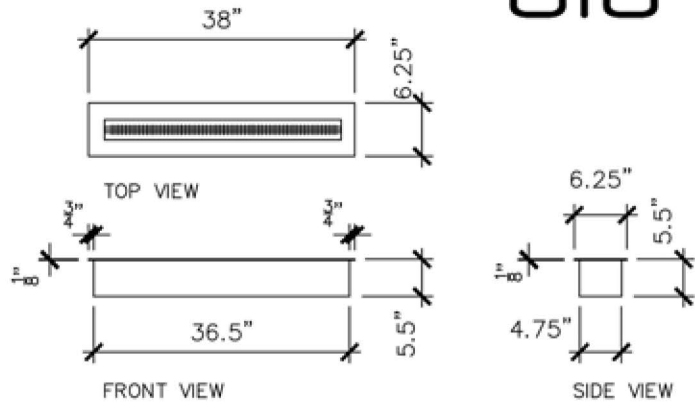


the bio Flame™



38" BURNER

27,000BTU – 7.9Kw/h (heats on average 93m2 or 1,001ft2)
 304 Stainless Steel Construction
 Insulated Bottom Tray
 10L Fuel Capacity

H 5.5" (138mm) W 38.0" (965mm) D 6.25" (159mm)

CLEARANCES:

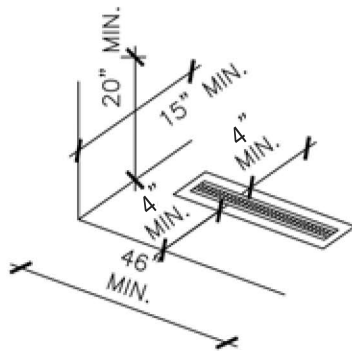
INSERTING WITHIN A FIREBOX SETTING:

The Bio Flame 38" BURNER can only be fitted into a non-combustible firebox that has minimum clearances of 46"W x 20"H x 15"D.

Custom Made fireboxes must:

-Be made out of a non-combustible material such as stainless steel

When recessing the tray into a non-combustible base with no firebox, the overhead clearance required is 60"MIN. to the nearest combustible



*Dimensions may vary by 2% (plus or minus) due to material attributes. Template not provided.
 The Bio Flame recommends using the actual fireplace or burner model when making final cut out.