

48" BURNER

33,500BTU – 9.8Kw/h (heats on average 107m2 or 1,152ft2)

304 Stainless Steel Construction

Insulated Bottom Tray

14L Fuel Capacity

H 4.4" (112mm) W 48.0" (1219mm) D 7.75" (197mm)

CLEARANCES:

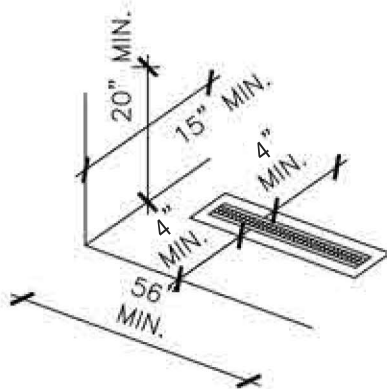
INSERTING WITHIN A FIREBOX SETTING:

The Bio Flame 48" BURNER can only be fitted into a non-combustible firebox that has minimum clearances of 56"W x 20"H x 15"D.

Custom Made fireboxes must:

-Be made out of a non-combustible material such as stainless steel

When recessing the tray into a non-combustible base with no firebox, the overhead clearance required is 60"MIN. to the nearest combustible



*Dimensions may vary by 2% (plus or minus) due to material attributes. Template not provided.
The Bio Flame recommends using the actual fireplace or burner model when making final cut out.