

### 60" BURNER

43,000 BTU – 12.6 Kw/h (heats on average 158 m2 or 1,640 ft2)  
 304 Stainless Steel Construction  
 Insulated Bottom Tray  
 15L Fuel Capacity

H 4.5" (115mm) W 60" (1524mm) D 7.6" (193mm)

#### CLEARANCES:

##### INSERTING WITHIN A FIREBOX SETTING:

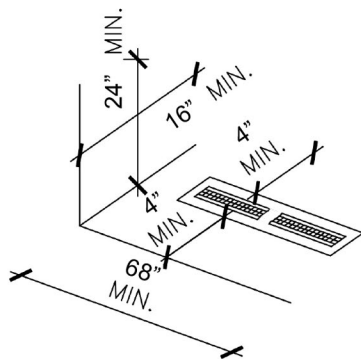
The Bio Flame 60" BURNER can only be fitted into a non-combustible firebox that has minimum clearances of 68"W x 24"H x 16"D.

Custom Made fireboxes must:

-Be made out of a non-combustible material such as stainless steel

\*When recessing the tray into a non-combustible base with no firebox, the overhead

clearance required is 60"MIN. to the nearest combustible\*



\*Dimensions may vary by 2% (plus or minus) due to material attributes. Template not provided.  
 The Bio Flame recommends using the actual fireplace or burner model when making final cut out.