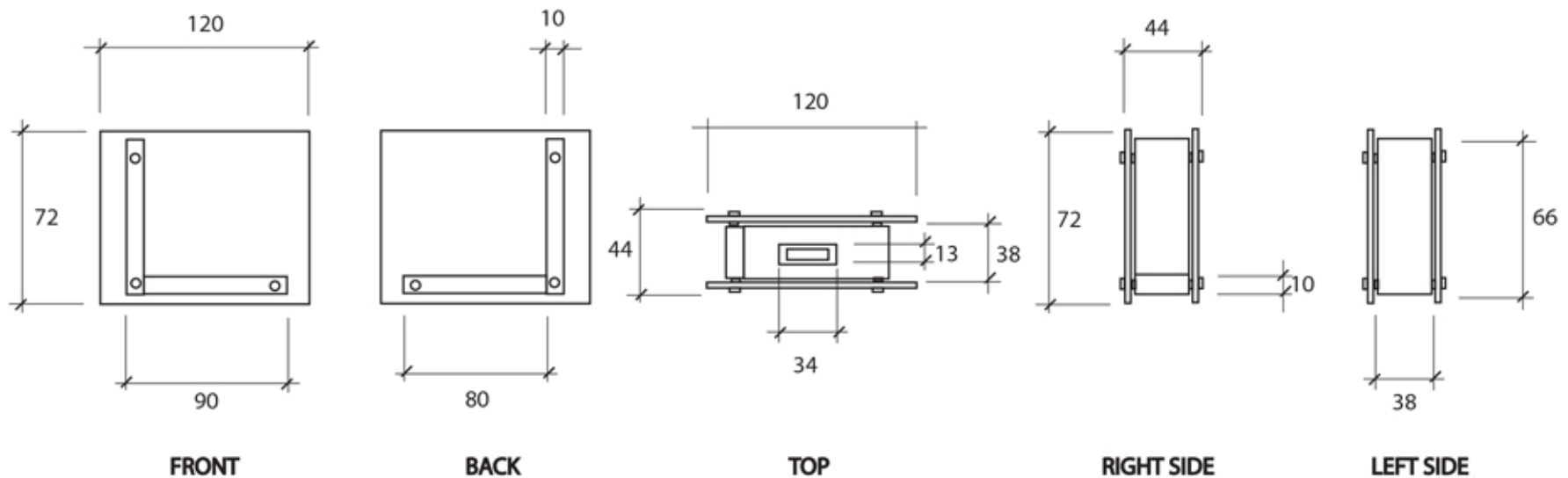




### ALLURE

17,000BTU – 5.0Kw/h (heats on average 69m2 or 742ft2)  
 Stainless Steel Construction  
 10mm Tempered Glass  
 16" Burner  
 (INQUIRE ABOUT CUSTOM SIZE OR COLOR)

H 28.3" (720mm) W 47.2" (1200mm) D 17.3" (440mm)



\*Dimensions may vary by 2% (plus or minus) due to material attributes. Template not provided.  
 The Bio Flame recommends using the actual fireplace or burner model when making final cut out.