



GRATE KIT ROUND BURNER 13"

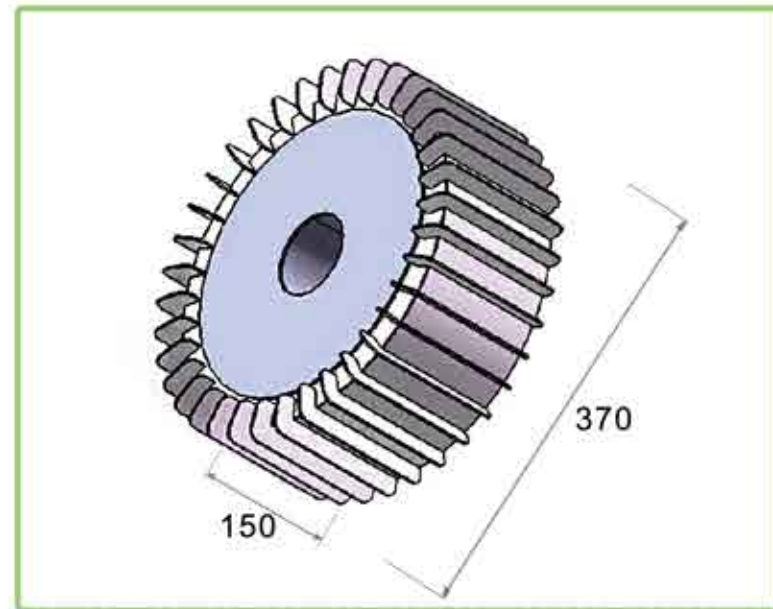
29,000BTU – 8.5Kw/h (heats on average 98m² or 1,054ft²)

304 Stainless Steel Construction

Insulated Bottom Tray

5.0L Fuel Capacity

H 5.9" (150mm) W 14.6" (370mm) D 14.6" (370mm)



*Dimensions may vary by 2% (plus or minus) due to material attributes. Template not provided.
The Bio Flame recommends using the actual fireplace or burner model when making final cut out.