



GRATE KIT BURNER 24"

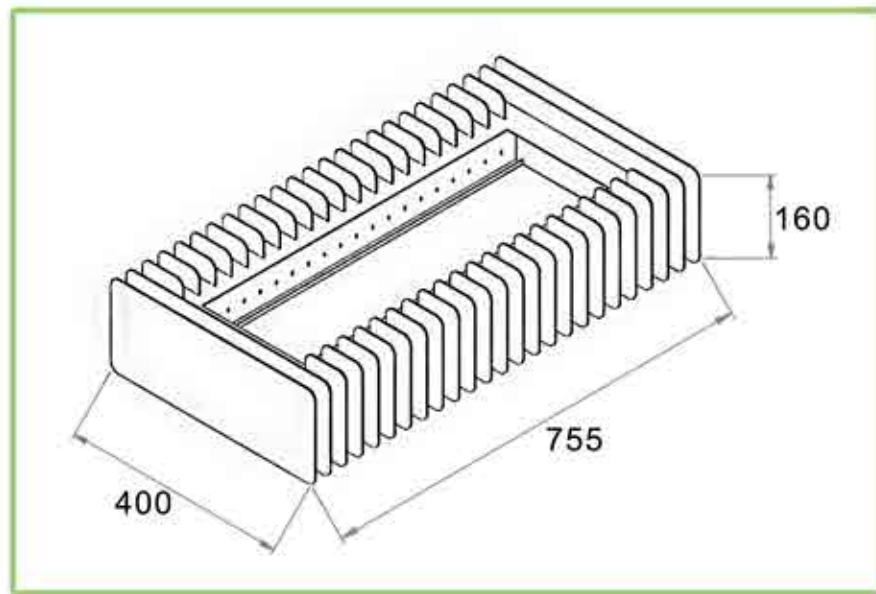
21,500BTU – 6.3Kw/h (heats on average 79m2 or 850ft2)

304 Stainless Steel Construction

Insulated Bottom Tray

8.0L Fuel Capacity

H 6.3" (160mm) W 29.7" (755mm) D 15.7" (400mm)



*Dimensions may vary by 2% (plus or minus) due to material attributes. Template not provided.
The Bio Flame recommends using the actual fireplace or burner model when making final cut out.