



GRATE KIT BURNER 38"

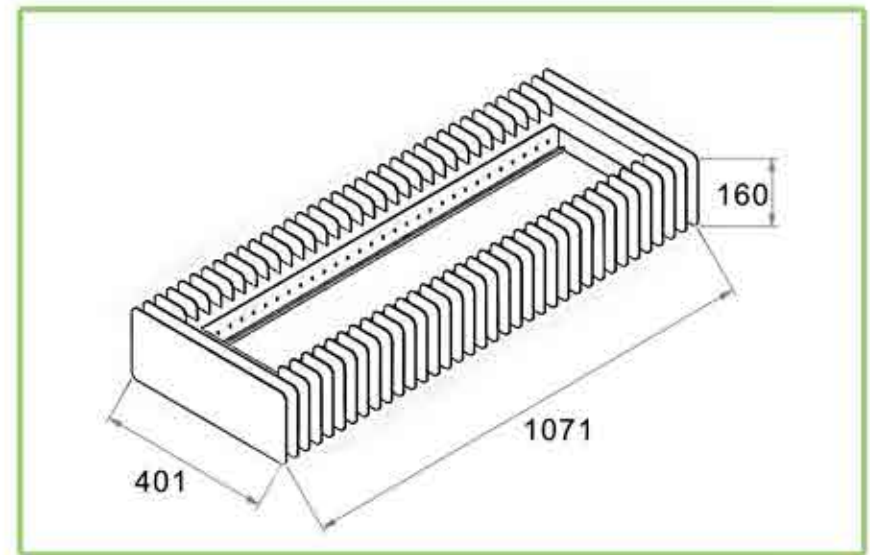
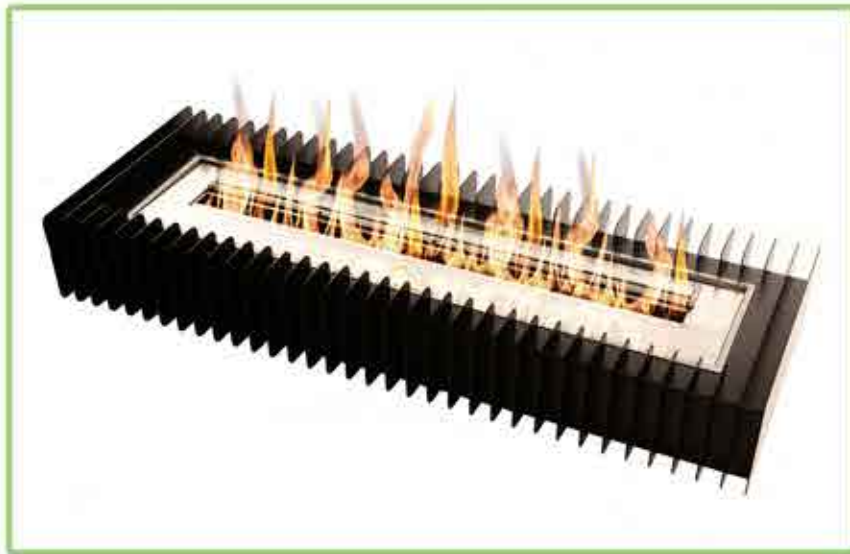
27,000BTU – 7.9Kw/h (heats on average 93m2 or 1,001ft2)

304 Stainless Steel Construction

Insulated Bottom Tray

10L Fuel Capacity

H 6.3" (160mm) W 42.2" (1071mm) D 15.8" (401mm)



*Dimensions may vary by 2% (plus or minus) due to material attributes. Template not provided.
The Bio Flame recommends using the actual fireplace or burner model when making final cut out.