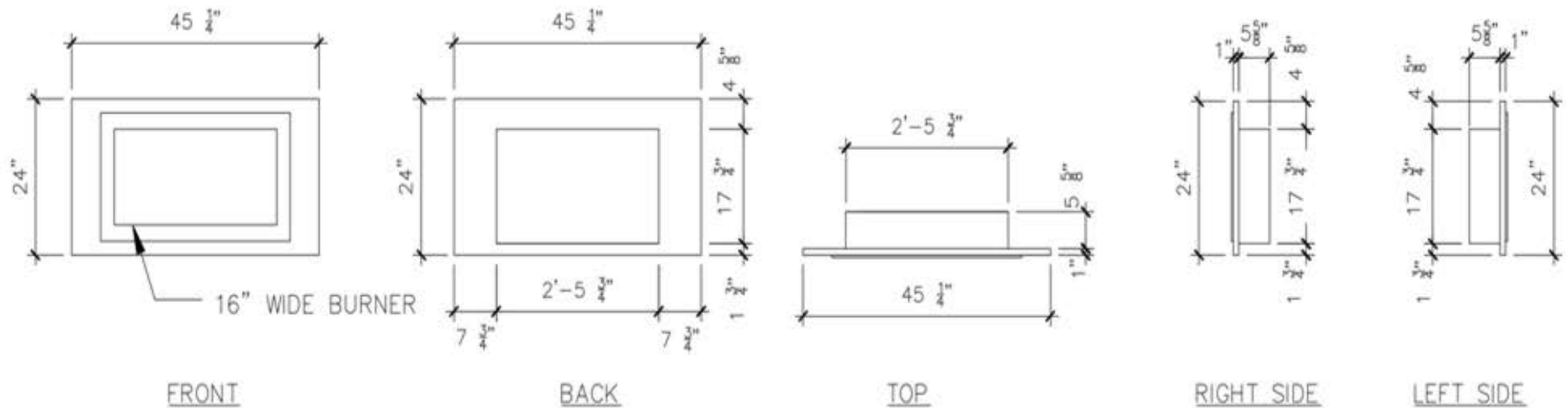




LORENZO

17,000BTU – 5.0Kw/h (heats on average 69m2 or 742ft2)
 Stainless Steel Firebox Construction
 Brushed Stainless Steel Fascia
 16" Burner
 (INQUIRE ABOUT CUSTOM SIZE OR COLOR)

H 23.8" (579mm) W 45.25" (1149mm) D 6.75" (171mm)



*Dimensions may vary by 2% (plus or minus) due to material attributes. Template not provided.
 The Bio Flame recommends using the actual fireplace or burner model when making final cut out.