

the bio Flame™

18" REMOTE CONTROL BURNER

8,840 BTU - 11,300 BTU (3.3 kW·h)

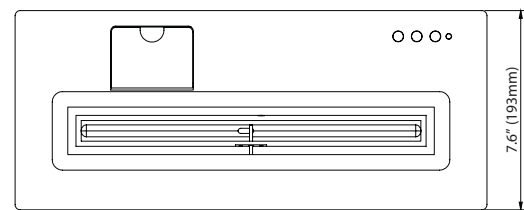
Heats an average of 33m² or 355ft²

304 Stainless Steel Construction

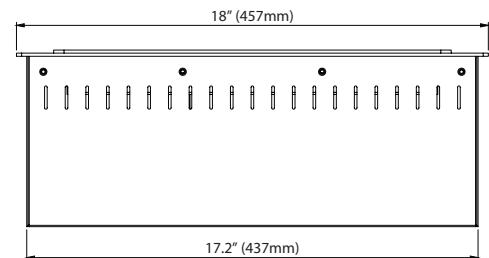
Insulated Bottom Tray

3L Fuel Capacity

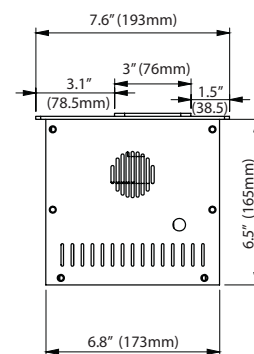
18" (457.2mm) L x 7.6" (193mm) W x 6.6" (168mm) H



TOP VIEW



FRONT VIEW

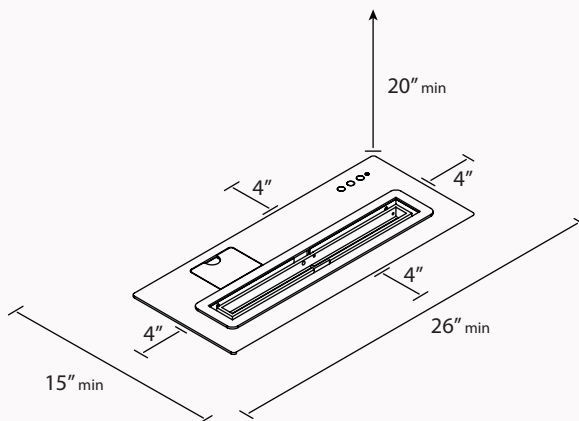


SIDE VIEW

CLEARANCES

INSERTING WITHIN A FIREBOX SETTING

The Bio Flame 18" RC BURNER can only be fitted into a non-combustible firebox that has minimum clearances of 26"W x 20"H x 15"D



* Dimensions may vary due to material attributes. Template not provided.

The Bio Flame recommends using the actual fireplace or burner model when making final cut out