

# the bio Flame™

## 30" REMOTE CONTROL BURNER

8,840 BTU - 20,600 BTU (6.0 kW·h)

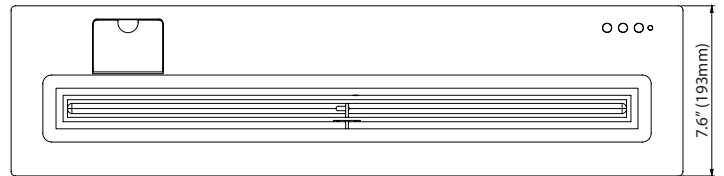
Heats an average of 73m<sup>2</sup> or 785ft<sup>2</sup>

304 Stainless Steel Construction

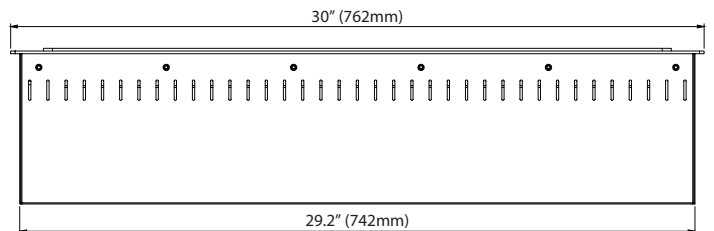
Insulated Bottom Tray

8L Fuel Capacity

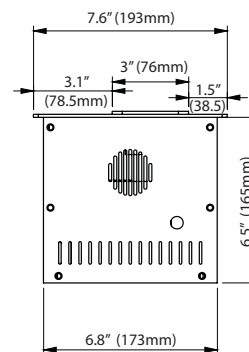
30" (762mm) L x 7.6" (193mm) W x 6.6" (168mm) H



TOP VIEW



FRONT VIEW

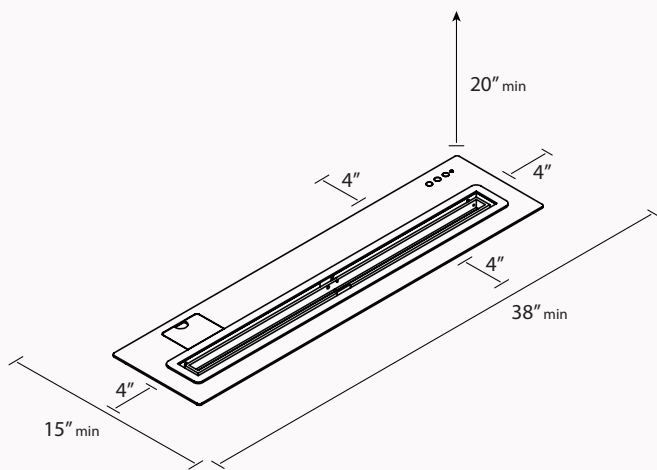


SIDE VIEW

## CLEARANCES

### INSERTING WITHIN A FIREBOX SETTING

The Bio Flame 30" RC BURNER can only be fitted into a non-combustible firebox that has minimum clearances of 38"W x 20"H x 15"D



\* Dimensions may vary due to material attributes. Template not provided.

The Bio Flame recommends using the actual fireplace or burner model when making final cut out