

the bio Flame™

38" REMOTE CONTROL BURNER

11,220 BTU - 29,200 BTU (8.6 kW·h)

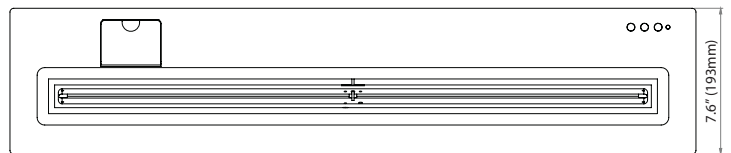
Heats an average of 90m² or 970ft²

304 Stainless Steel Construction

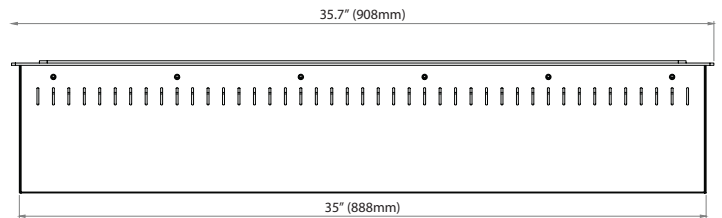
Insulated Bottom Tray

10L Fuel Capacity

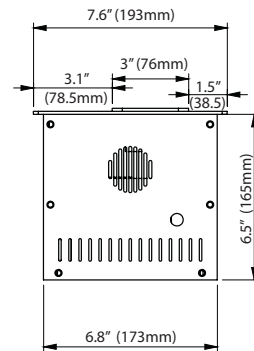
35.7" (908mm) L x 7.6" (193mm) W x 6.6" (168mm) H



TOP VIEW



FRONT VIEW

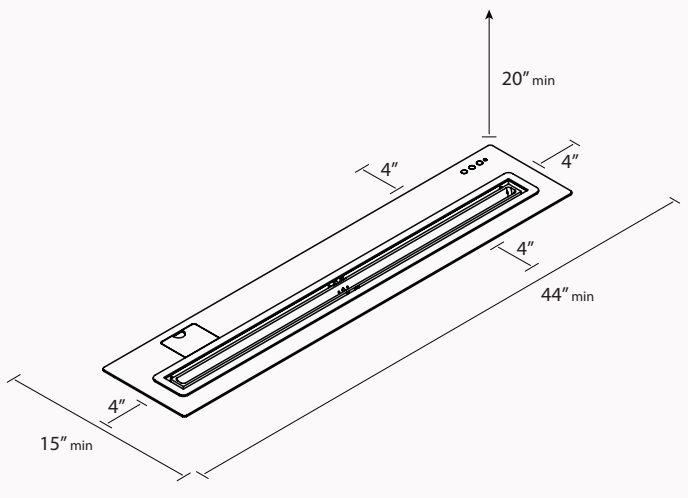


SIDE VIEW

CLEARANCES

INSERTING WITHIN A FIREBOX SETTING

The Bio Flame 38" RC BURNER can only be fitted into a non-combustible firebox that has minimum clearances of 44"W x 20"H x 15"D



* Dimensions may vary due to material attributes. Template not provided.

The Bio Flame recommends using the actual fireplace or burner model when making final cut out