

# the bio Flame™

## 60" REMOTE CONTROL BURNER

18,000 BTU - 40,800 BTU (12.0 kW·h)

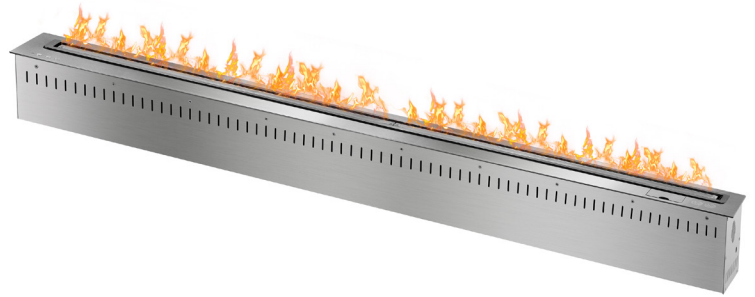
Heats an average of 115m<sup>2</sup> or 1240ft<sup>2</sup>

304 Stainless Steel Construction

Insulated Bottom Tray

18L Fuel Capacity

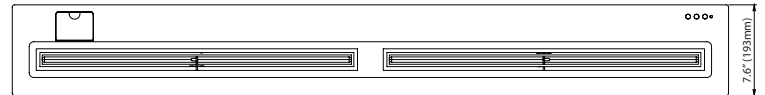
60" (1524mm) L x 7.6" (193mm) W x 6.6" (168mm) H



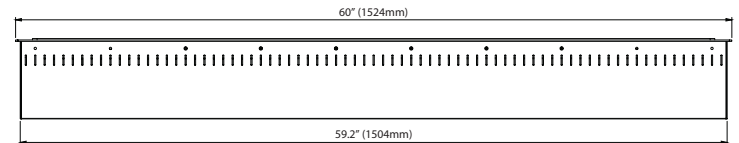
## CLEARANCES

### INSERTING WITHIN A FIREBOX SETTING

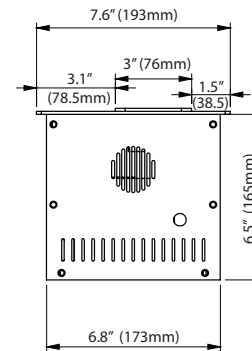
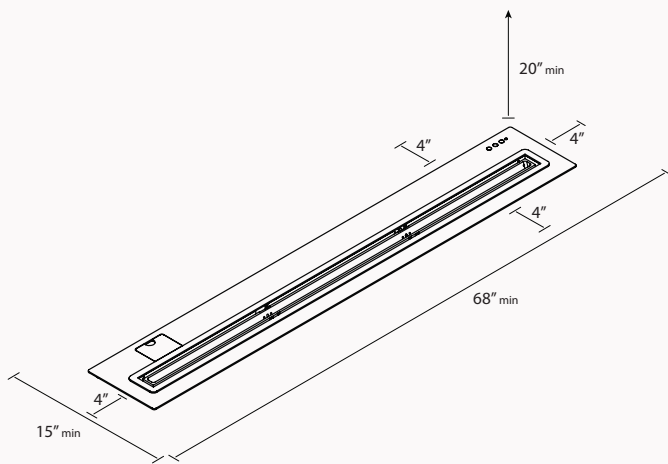
The Bio Flame 60" RC BURNER can only be fitted into a non-combustible firebox that has minimum clearances of 68"W x 20"H x 15"D



TOP VIEW



FRONT VIEW



SIDE VIEW

\* Dimensions may vary due to material attributes. Template not provided.  
The Bio Flame recommends using the actual fireplace or burner model when making final cut out