

the bio Flame™

72" REMOTE CONTROL BURNER

18,000 BTU - 51,000 BTU (14.9 kW·h)

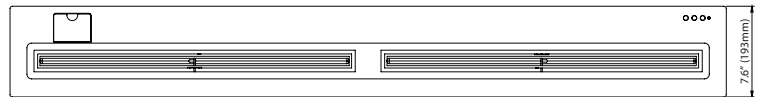
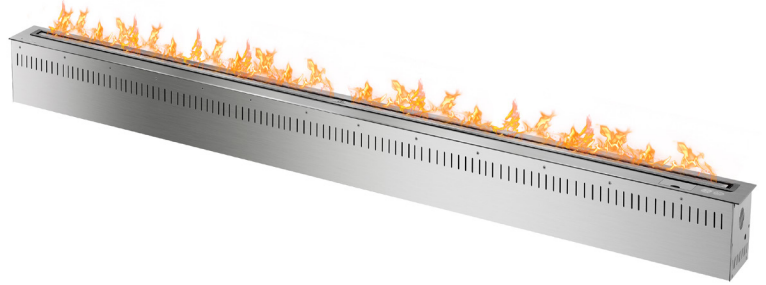
Heats an average of 131m² or 1410ft²

304 Stainless Steel Construction

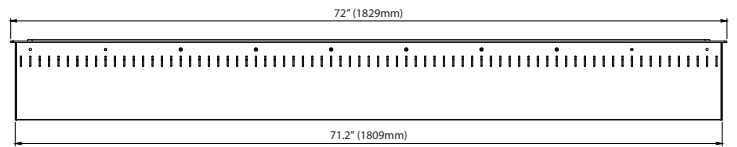
Insulated Bottom Tray

20L Fuel Capacity

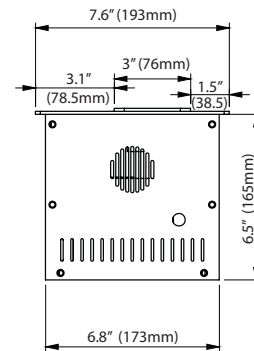
72" (1829mm) L x 7.6" (193mm) W x 6.6" (168mm) H



TOP VIEW



FRONT VIEW

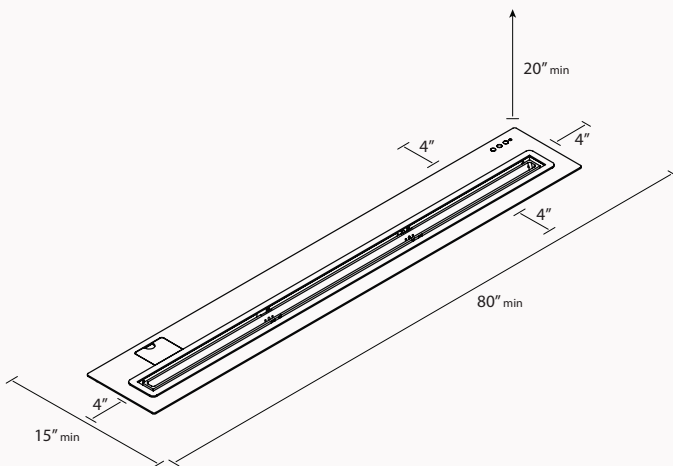


SIDE VIEW

CLEARANCES

INSERTING WITHIN A FIREBOX SETTING

The Bio Flame 72" RC BURNER can only be fitted into a non-combustible firebox that has minimum clearances of 80"W x 20"H x 15"D



* Dimensions may vary due to material attributes. Template not provided.

The Bio Flame recommends using the actual fireplace or burner model when making final cut out