

the bio Flame™

96" REMOTE CONTROL BURNER

25,900 BTU - 64,800 BTU (18.9 kW·h)

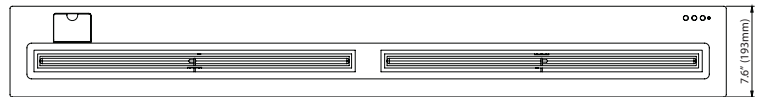
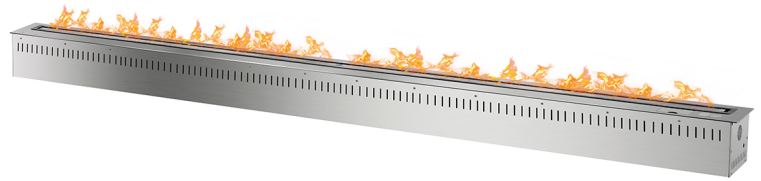
Heats an average of 168m² or 1808ft²

304 Stainless Steel Construction

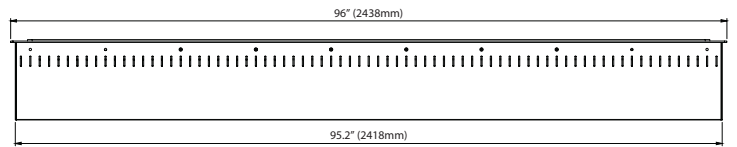
Insulated Bottom Tray

24L Fuel Capacity

96" (2438mm) L x 7.6" (193mm) W x 6.6" (168mm) H



TOP VIEW

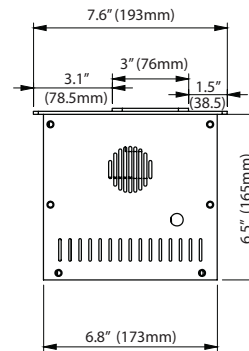
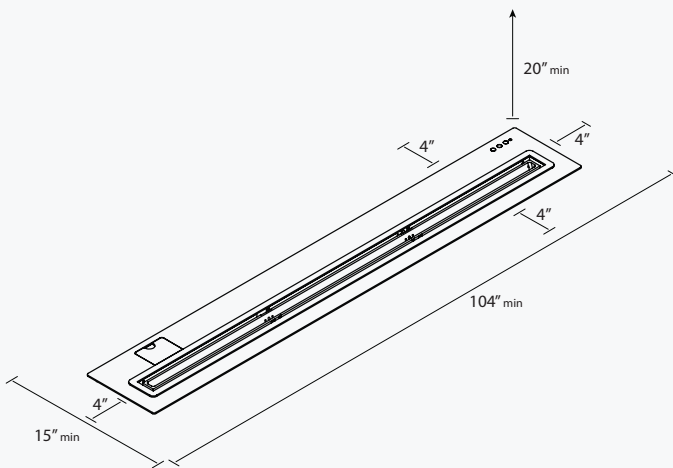


FRONT VIEW

CLEARANCES

INSERTING WITHIN A FIREBOX SETTING

The Bio Flame 96" RC BURNER can only be fitted into a non-combustible firebox that has minimum clearances of 104"W x 20"H x 15"D



SIDE VIEW

* Dimensions may vary due to material attributes. Template not provided.
The Bio Flame recommends using the actual fireplace or burner model when making final cut out